

INSTRUCTION BOOK  
FOR  
MODEL RBK-8\*  
RADIO RECEIVING EQUIPMENT  
FOR  
AMPLITUDE AND FREQUENCY MODULATED SIGNALS  
FREQUENCY RANGE: 27.8 TO 143 MEGACYCLES

RESTRICTED

Notice;- This document contains information affecting the national defense of the United States within the meaning of the Espionage Act (U.S.C. 50:31,32). The transmission of this document or the revelation of its contents in any manner to any unauthorized person is prohibited.

The information contained in documents marked RESTRICTED will not be communicated to the public or to the press, but it may be communicated to any person known to be in the service of the United States, and to persons of undoubted loyalty and discretion who are cooperating in governmental work. (AR 380-5)

THE HALLICRAFTERS CO.

\*HALLICRAFTERS MODEL S-36

TABLE OF CONTENTS

| <u>Subject</u>   | <u>Page</u> |
|--|-------------|
| TITLE PAGE . . . . .   | 1-2         |
| TABLE OF CONTENTS. . . . .   | 3           |
| LIST OF COMPONENTS . . . . .                                       | 4           |
| A. DESCRIPTION OF EQUIPMENT . . . . .                              | 5           |
| B. INSTALLATION . . . . .  | 6           |
| C. ADJUSTMENT AND OPERATION . . . . .                              | 7           |
| D. ALIGNMENT AND SERVICE. . . . .                                  | 8           |
| E. ELECTRICAL AND MECHANICAL DATA . . . . .                        | 9           |
| F. LIST OF REPLACEABLE PARTS. . . . .                              | 10          |
| G. INDEX TO PARTS MANUFACTURERS . . . . .                          | 23          |
| H. DRAWINGS AND ILLUSTRATIONS                                      |             |
| Fig. 1 - CHL-46130 Receiver - Block diagram. . . . .               | 24          |
| Fig. 2 - CHL-46130 Receiver - Schematic. . . . .                   | 25          |
| Fig. 3 - CHL-46130 Receiver - Location of important parts. . . . . | 26          |
| Fig. 4 - Model RBK-( ) Antenna installation. . . . .               | 27          |
| Fig. 5 - Model RBK-( ) Front View. . . . .                         | 28          |
| Fig. 6 - CHL-46130 Receiver - Top View . . . . .                   | 29          |
| Fig. 7 - CHL-46130 Receiver - Bottom View. . . . .                 | 30          |
| Fig. 8 - CHL-46130 Receiver - Rear View. . . . .                   | 31          |

## LIST OF COMPONENTS

Each complete equipment consists of the following:

- 1 CHL-46130, CHL-46130-A or CHL-46130-B Radio Receiver
- 1 Table mounting cabinet which, together with above receiver, is known as MODEL RBK-( ) Receiving Equipment
- 1 Kit spare parts as purchased.

Note: All reference to The Type CHL-46130 Radio Receiver in the text applies to the Type CHL-46130-A and CHL-46130-B Radio Receiver with the following exceptions:

CHL-46130-A operates from 115/230 volt source, and does not have the receptacle for the panoramic adapter.

CHL-46130-B operates from 115/230 volt source.

# INSTRUCTION BOOK FOR MODEL RBK-1

## RADIO RECEIVING EQUIPMENT

### A. DESCRIPTION OF EQUIPMENT

**A-1. GENERAL** - The Model RBK-( ) radio receiving equipment consists of a type CHL-46130 ultra-high frequency receiver mounted in a table mounting cabinet. The receiver may be removed from its cabinet and mounted directly onto a standard rack without any mechanical alterations. Included with each equipment are two instruction books.

**A-2. RECEIVER UNIT** - The type CHL-46130 receiver is an ultra-high frequency radio receiver capable of receiving amplitude and frequency modulated radio signals within a frequency range of 27.8 to 143 megacycles. Refer to Fig. 2 for circuit details, and to Fig. 3 for location of important parts.

The tube complement is as follows:

- V1 - Type 956 (Acorn) radio frequency amplifier
- V2 - Type 954 (Acorn) first detector-mixer
- V3 - Type 6AC7 or 1852 first I.F. amplifier
- V4 - Type 6AB7 or 1853 second I.F. amplifier
- V5 - Type 6SK7 third I.F. amplifier
- V6 - Type 6H6 AM detector and automatic noise limiter
- V7 - Type 6AC7 or 1852
- V8 - Type 6H6 F.M. detector
- V9 - Type 68L7GT audio amplifier
- V10 - Type VR150 voltage regulator
- V11 - Type 6V6G power audio amplifier
- V12 - Type 6V6G power audio amplifier
- V13 - Type 5U4G rectifier
- V14 - Type 6J5 beat frequency oscillator
- V15 - Type 955 high frequency oscillator

The circuit is that of a conventional superheterodyne receiver preceded by one stage of tuned radio frequency amplification. The intermediate frequency amplifier of the superheterodyne circuit terminates in both amplitude modulation and frequency modulation detector circuits which can be switched to the same audio amplifying system by means of the front panel AM-FM switch, thus providing either type of reception at will. Refer to Fig. 1 for block diagram.

This receiver tunes through a frequency range of 27.8 to 143 megacycles in 3 bands.

- Band 1 - 27.8 to 47 M.C.
- Band 2 - 46 to 82 M.C.
- Band 3 - 82 to 143 M.C.

Band switching is accomplished with a specially designed ceramic switch which operates in the antenna, RF and oscillator circuits.

**A-3. CIRCUIT DESCRIPTION** - The signal enters the receiver through the antenna terminals and flows through the primary of the first R.F. transformer, T-1. A voltage is induced in the secondary which is then applied to the grid of the first RF tube V-1. Refer to Fig. 2.

The amplified signal flows through the plate circuit of V-1 and RF transformer T-4. A voltage is induced in the secondary and applied to the grid of the mixer tube V-2.

Another voltage is applied to the cathode of this tube. This voltage is generated by the high frequency circuit of V-15 and differs from the frequency of the received signal by 5.25 mc. These two signals heterodyne each other in the plate circuit of the tube and produce a beat note whose frequency is equal to the difference of those of the two signals applied to the mixer tube or 5.25 mc.

The primary of transformer T-10 is tuned to this frequency and a voltage at this frequency is thereby developed across it. This induces a voltage across the secondary of T-10 which is applied to the grid of V-3. The received signal is then amplified at intermediate frequency through transformer T-11, Tube V-4, transformer T-12, and tube V-5. Transformer T-13 couples to one of the diodes in tube V-6. The signal is here rectified and the amplitude modulation of the carrier causes a similar audio frequency signal to appear across resistors R-33, R-34, and R-36 in series. That part of the audio frequency voltage across R-34 and R-36 in series is connected to the audio frequency gain control through condenser C-33. The voltage applied to the grid of one of the triodes in the double triode tube V-9 is varied by operation of volume control R-43. The audio frequency voltage appearing in the plate of V-9 is applied to the grid of V-12 and also to the grid of the other triode in tube V-9. Thus V-9 operates as a push-pull AF amplifier feeding the grids of the push-pull output tubes V-10 and V-11. The output of these tubes flows through transformer T-15. The secondary of this transformer has a 5000 ohm winding with a tap at 500 ohms. In addition, there is also a center tapped 600 ohm winding which is connected to the phone jack J-1. This winding is balanced to ground and both sides of the phone jack to which it connects are insulated from the chassis. The audio amplifier circuit utilizes degeneration to improve its fidelity. By means of the tone switch the degeneration is removed at the low frequencies which gives an appreciable base boost in the output. The tone switch also serves to connect the resistor condenser network R-54, C-41 across the primary of T-15 which reduces high frequency response. In the

low frequency position this switch short circuits R-54 thus giving maximum reduction of high frequencies.

The voltage applied to the grid of tube V-5 is also applied to V-7. This tube acts as a limiter, which means the signal voltage appearing across its plate circuit is limited to a certain pre-determined value. Amplituded modulation of the carrier, whether intentional or caused by static or other forms of interference is thus effectively reduced. Frequency modulation of the carrier, however, is unaffected. The amplituded limited signal voltage appears across the primary of transformer T-14 and voltage is induced in the secondary of this transformer which reacts with the voltage coupled from the primary through condenser C-29 to produce frequency discriminating action. When the frequency of the signal flowing through T-14 is exactly 5.25 mc the voltages across resistors R-40 and R-41 are equal and opposite. A change in the frequency in one direction produces a positive difference between the voltage across R-40 and R-41. A frequency change in the opposite direction produces a negative voltage difference. In this way frequency modulation of the received carrier produces a similar audio frequency voltage across resistors R-40 and R-41. This is applied through the high frequency de-emphasis network R-42, C-32 to audio frequency volume control R-43. From here it feeds into the audio frequency amplifier as previously outlined.

The beat frequency oscillator consisting of tube V-14 and reactor L-7 produces a 5.25 mc output which is coupled to the rectifier tube V-6 to permit the reception of CW signals.

The other diode in V-6 is used as an automatic noise limiter to reduce the amplitude of sharply peaked interference when receiving amplitude modulated signals. This greatly increases the intelligibility of such reception in the presence of undesirable noise, such as that caused by ignition equipment.

The power supply line cord feeds through the filter network C-49, L-5, C-48 and C-50, L-6 and C-51 before connecting to the primary of the power transformer. This filter effectively eliminates interference feeding into the receiver from the power supply mains. The output of the 5Z3 rectifier is filtered by means of iron core reactors L-1 and L-2 and filter condensers C-42, C-43 and C-44. The voltage regulator tube VR150 is connected to the output of the power supply through resistor R-59 and furnishes constant voltage to the plate supply of high frequency oscillator V-15, the screen and plate supply of mixer tube V-2 and the screen of V-4. The S meter M-1 used for indicating the strength of the carrier input is connected in the plate circuit of V-4. An increase in carrier strength increases the automatic volume control voltage supplied to this tube which in turn reduces the plate current, thus causing a change in the reading of meter M-1.

This same meter is connected through a high resistance R-56 across resistor R-40 and R-41 in the FM position. When the receiver is tuned to the FM carrier this meter will indicate "0". Any slight deviation in the tuning from this point will cause the S meter to deflect in either direction.

## B. INSTALLATION

**B-1. CAUTION** - The voltages exposed at the bottom of the receiver chassis are high, and care must be taken so that the operators hands do not contact any of the circuit connections during adjustment. Before making repairs requiring work underneath the receiver chassis the power cord should be removed from supply receptacle.

**B-2. UNPACKING** - Carefully unpack and inspect the receiver for any possible damage during shipment. In case of damage a claim should be filed immediately with the transportation company.

**B-3. INSTALLATION** - After the set has been unpacked and before it is connected to its source of power be sure that all tubes, especially Acorn tubes, are firmly positioned in their sockets. The Acorn tubes can be reached by removing the cover of the R.F. assembly which is held in place by eight knurled nuts. Type CHL-46130 has been designed to operate from 110 to 125 volts 50 to 60 cycle alternating current. Types CHL-46130-A and CHL-46130-B operate from 110 or 230 volts 50 to 60 cycles A.C. Before plugging in be sure that the power supply available conforms to this frequency and voltage.

The antenna connects to the terminals at the rear of the chassis. Reference is made to Fig. 4. If a single wire antenna is used it should be connected to terminal A-1 and a jumper connected between terminals A-2 and G. If a concentric cable is used the inner conductor connects to A-1 and the same jumper remains between A-2 and G. If a two wire balanced or twisted pair transmission line is used, the two wires connect to A-1 and A-2 and the jumper is removed. In all cases terminal G should be connected to a good earth ground. The loudspeaker connects to the pair of terminals in the rear marked 5000 ohms.

The phone jack on the front panel connects to a 600 ohm output circuit both sides of which are insulated from ground. The center tap of this output winding connects to a terminal on the rear apron marked 600 and may be grounded by connecting a jumper across both of the terminals on this terminal strip.

**B-4. ANTENNA** - Refer to Fig. 4. This figure shows several typical antenna installations.

Where interference from man made static does not exist, the recommended installation is that of a long single wire shown in Fig. 4A.

Where there is considerable local interference and reception over a narrow frequency band is most desired the dipole installation shown in Figs. 4B and 4C is most effective. Where it is desired to cover a fairly wide frequency band, it is recommended that a dipole antenna designed for the highest desired frequency is used. A simple way of determining the length of each half of the dipole in inches is to divide 2770 by the frequency in megacycles. For reception at 42 megacycles for instance the use of the formula will show that the length of each half of the dipole will be 65.9" or approximately 5 ft. 6".

The antennae shown in Figs. 4B and 4C will give the best reception in the direction broadside to the length. The dipole antenna, operating at its fundamental frequency, will be found to be much more directional than the single long wire.

The receiving antenna should be directed in either a horizontal or vertical plane, depending upon polarization of the transmitted signal. When receiving over short distances the receiver antenna should be erected in the same plane as the transmitter antenna. For long distance reception the received signals are more often horizontally polarized which dictates the use of a horizontal antenna.

### C. ADJUSTMENT AND OPERATION

C-1. RECEIVER OPERATION - With all the connections made as described above, the receiver may be operated as follows:

- (a) Plug in phones, into the PHONES jack on the panel or connect the speaker to the 5000 ohm terminals on the rear apron of the chassis.
- (b) Set the SEND-REC. switch at RECEIVE. This switch prevents the receiver from operating when in the SEND position but allows the tube heaters to remain hot.
- (c) Set the AM/FM switch to receive the type of modulation desired.
- (d) Turn the R.F. GAIN control clockwise as far as it will go.
- (e) Set the band switch to the desired band and then operate the hand-wheel tuning knob until a signal is heard and indicated on the tuning meter. For A.M. reception adjust for maximum "S" meter reading. For F.M. reception adjust the tuning to resonance as indicated by the zero center reading of the pointer on the red line. See Note (1) Tuning Meter.
- (f) Adjust the ANTENNA control for maximum signal for A.M. reception or minimum background noise if no modulation is present when an F.M. carrier is being received. See Note (2) Antenna Trimmer.
- (g) Adjust A.F. GAIN control for the desired speaker volume.
- (h) The AVC switch should be set at ON for normal reception.
- (i) In the presence of ignition interference the ANL switch may be set at ON, to increase the intelligibility of the received signal. Nor-

mally it should remain at OFF.

- (j) Where c-w reception is desired or where it is necessary to locate a weak carrier, the BFO switch may be set at ON. The pitch of the resulting beat note may be varied by adjusting the PITCH CONTROL directly above and to the right of the BFO switch.
- (k) The TONE control may be set to produce the type of tone modification desired from base boost through high fidelity to high frequency cut-off.

Note (1) TUNING METER - When used in the AM position the tuning meter indicates the strength of the carrier received. The AVC switch must be set at ON and the R.F. gain control turned to the extreme clockwise position or this meter will not operate.

When tuning the receiver in the FM position the meter will deflect to one side when approaching a carrier, then swing back through zero and to an equal deflection on the other side of zero as the carrier is passed, then return to zero when tuned beyond the carrier. The zero center position of the pointer in the middle of the swing represents the correct setting for resonance.

Note (2) ANTENNA TRIMMER - The antenna trimmer is necessary to compensate for misalignment produced in the first tuned circuit by antenna variations. For the same antenna its setting will be approximately constant for a considerable range of frequencies. Adjust the antenna trimmer knob as indicated in paragraph C-1 (f). When operating this control at the high frequency end of Band 3 it may be necessary to re-adjust the tuning control after each adjustment of the ANTENNA control knob, manipulating both controls until maximum signal is heard.

## D. ALIGNMENT AND SERVICE

**D-1. RECEIVER ALIGNMENT** - This receiver has been carefully aligned at the factory by qualified engineers and alignment should not be attempted unless it is known that the adjustments have been tampered with or that tubes of a different manufacture have been substituted. The equipment needed will be a signal generator capable of tuning from 28 to 130 mc., another or the same signal generator tuneable to 5.25 mc (intermediate frequency), a non-metallic screw driver, a 50 ohm non-inductive resistor for a dummy antenna and an output meter.

The controls should be set as follows:

RF GAIN control at maximum gain  
AF GAIN control at maximum gain  
SELECTIVITY switch at SHARP  
BAND SWITCH at Band 2  
AM/FM switch at AM  
AVC switch at OFF  
ANL switch at OFF  
BFO switch at OFF

### (a) I.F. ALIGNMENT

Connect a signal generator to the grid of the 954 converter tube V-2, using either a small clip or a piece of flexible wire around the grid terminal. Do not attempt to solder the tube as the heat is certain to crack the glass. Connect the output meter across the speaker terminals.

Tune the signal generator to 5.25 megacycles and align transformer T-10, T-11, T-12, T-13 for maximum response.

A bakelite screw-driver with a metal or insulated tip is necessary for accurate alignment.

This alignment process should be repeated at least once to assure greatest possible selectivity.

To align the "discriminator" transformer T-14 turn the selectivity switch to the broad position and the AM-FM switch to the FM position.

Leave the signal generator set at the frequency originally used for IF alignment with the modulation left on. Rotate the trimmer control across the discriminator (T-14) secondary (nearest the front of the chassis) until the signal drops to zero. Since this point is approached very suddenly, turn the control very slowly. Now slightly detune the secondary until the output meter gives a readable indication. Adjust the primary trimmer control of the discriminator transformer for maximum response. Retune the secondary until the output again drops to zero.

Next detune the signal generator to either side of resonance and note the maximum output in each case as indicated on the output meter. These values should be the same for good bal-

ance. If they are not, then tune the signal generator to the lower of the two peaks and adjust the primary until the output rises an amount equal to about half the difference of the two outputs previously noted.

Retest for balance as above and readjust the primary till both maximum readings are alike when the signal generator is detuned to either side of resonance.

If a balance cannot be obtained, it is an indication that the discriminator secondary trimmer control has been adjusted off its proper center and will require a very slight readjustment in either direction. The direction of adjustment that will cause the off-tune peaks to assume the same values is the correct one. Care must be taken in adjusting the discriminator secondary control as even a slight misadjustment will result in the distorted reception of frequency-modulated signals.

### (b) R.F. ALIGNMENT

The Ferris Signal Generator Model 18D or 18FS is recommended for alignment purposes. If this is not available, harmonics of a standard signal generator may be used. The receiver's controls should be set in the same position as for I.F. alignment.

Set the AM-FM switch in the AM position  
Set the bandswitch on band 1  
Tune the generator and receiver to 42 mc

Adjust oscillator trimmer C-66 until the signal is heard. The frequency of the oscillator is higher than that of the signal. Next adjust trimmer C-63 and the antenna trimmer for maximum response. Refer to Fig. 3.

Tune both receiver and signal generator to 28 megacycles and adjust padder C-58 for maximum response while rocking the tuning control. Then repeat the alignment at the high frequency end as described.

### BAND 2

Tune the receiver and signal generator to 75 megacycles. Adjust trimmer C-67 until the signal is heard. In this band, the frequency of the oscillator is lower than that of the signal. Adjust the antenna trimmer and trimmer C-64 for maximum response while rocking the gang condenser. No padder condenser adjustment is provided for the low-frequency end of this band.

### BAND 3

Tune the receiver and signal generator to 120 megacycles. Adjust trimmer C-65 and the antenna trimmer for maximum response while rocking the gang. It is not recommended that the frequency of the oscillator in this band be

adjusted except at the factory. Should it be impractical to return the receiver to the factory for adjustment, then the following instructions are included.

Remove the top cover and locate the high frequency oscillator coil. The white wire winding, one end of which is connected to a terminal on the form is the primary. By carefully shifting the free end of this winding the frequency can be changed over a sufficient range. This lead should be cemented in place with Q-Max or any other low loss cement when adjustment is completed.

Repeat the adjustment of C-65 as described above after shifting the frequency of the oscillator.

As in band 2, the frequency of the oscillator is lower than that of the signal. No paddler

condenser adjustment is provided for the low frequency end of this band.

**D-2. MAINTENANCE** - Routine maintenance should include keeping the units inside of the cabinet free from dust accumulation. If dust collects on the plates of the tuning condenser or the gear drive, it should be blown out with dry air.

The gear-drive will require a minute amount of light machine oil at each of its bearings at least twice per year.

If the sensitivity of the receiver begins to fall off, the tubes should be individually tested. In replacing original tubes which have tested O.K., care should be exercised to plug them back into the same socket. Acorn tubes should be inserted into the socket with the short end of the body in the socket.

### D-3. TABLE OF TUBE SOCKET VOLTAGES

(Measured from socket pin to ground with 1000 ohm per volt meter)  
AC LINE - 115 VOLTS

| TUBE       | DESCRIPTION        | ACORN TUBE ELEMENTS |        |        |        |         |
|------------|--------------------|---------------------|--------|--------|--------|---------|
|            |                    | HEATER              | HEATER | PLATE  | SCREEN | CATHODE |
| V-1 (956)  | RF Amplifier       | 0                   | 6.2 AC | 155 DC | 100 DC | 2.5 DC  |
| V-2 (954)  | 1st Detector-Mixer | 0                   | 6.2 AC | 150 DC | 65 DC  | 4.0 DC  |
| V-15 (955) | High Freq. Osc.    | 0                   | 6.2 AC | 95 DC  |        | 0       |

### SOCKET PIN NUMBERS

|              | 1 | 2      | 3      | 4      | 5      | 6      | 7      | 8      |
|--------------|---|--------|--------|--------|--------|--------|--------|--------|
| V-3 (6AC7)   | 0 | 0      | 0      | 0      | 1.8 DC | 140 DC | 6.2 AC | 225 DC |
| V-4 (6AB7)   | 0 | 0      | 0      | 0      | 1.8 DC | 150 DC | 6.2 AC | 225 DC |
| V-5 (6SK7)   | 0 | 6.2 AC | 5.5 DC | 0      | 5.5 DC | 95 DC  | 0      | 225 DC |
| V-6 (6H6)    | 0 | 6.2 AC | 0      | 0      | 0      | 0      | 0      | 0      |
| V-7 (6AC7)   | 0 | 6.2 AC | 0      | 0      | 0      | 70 DC  | 0      | 70 DC  |
| V-8 (6H6)    | 0 | 6.2 AC | 0      | 0      | 0      | 0      | 0      | 0      |
| V-9 (6SL7GT) | 0 | 140 DC | 1.8 DC | 0      | 145 DC | 1.6 DC | 6.2 AC | 0      |
| V-10 (6V6GT) | 0 | 6.2 AC | 235 DC | 230 DC | 0      | 0      | 0      | 15 DC  |
| V-11 (6V6GT) | 0 | 6.2 AC | 235 DC | 230 DC | 0      | 0      | 0      | 15 DC  |
| V-12 (VR150) | 0 | 0      | 155 DC | 0      | 155 DC | 0      | 155 DC | 0      |
| V-13 (5U4G)  | 0 | 260 DC | 0      | 250 AC | 0      | 250 AC | 0      | 260 DC |
| V-14 (6J5)   | 0 | 6.2 AC | 0      | 0      | 0      | 0      | 0      | 0      |

### E. ELECTRICAL AND MECHANICAL DATA

**E-1. POWER REQUIREMENT** - Type CHL-46130 receiver draws 80 watts from the A. C. power mains.

**E-2. POWER OUTPUT** - Three watts of audio power can be obtained with less than 5% distortion. Audio fidelity is within plus or minus 3 db. from 40 to 10,000 cycles. Deemphasis compensation is included for FM reception.

**E-3. WEIGHTS** - The weight of the chassis and cabinet together is 63 lbs. The weight of the chassis alone is 48 lbs. The weight of Type CHL-49172 speaker is 20 lbs., including its cabinet.

**E-4. DIMENSIONS** - The overall dimensions of the receiver chassis installed in its table mounting cabinet are 19-1/8 inches wide, 9-3/8 inches high and 14-3/16 inches deep. Dimensions of the chassis alone are 19 inches wide, 8-23/32 inches high (these are the front panel dimensions) and 13-29/32 inches deep. This does not include the binding posts protruding from the rear side.

Dimensions of the speaker are 11-1/2 inches high, 16 inches wide, and 11 inches deep.



F. LIST OF REPLACEABLE PARTS - MODEL RBK-( )

| REF. SYMBOL     | NAME OF PART AND DESCRIPTION   | FUNCTION                                  | MFR. CODE | CONTR'S PART NO. |
|-----------------|--|---|-----------|------------------|
| R <sub>1</sub>  | Resistor, 250 ohm, 10%, ½ watt, carbon, type 504   | Cathode bias for tube V <sub>1</sub>      | ER        | 23BX251E         |
| R <sub>2</sub>  | Resistor, 1,000 ohm, 10%, ½ watt, carbon, type 504   | Screen decoupling for tube V <sub>1</sub> | ER        | 23BX102E         |
| R <sub>3</sub>  | Same as R <sub>2</sub>   | Plate decoupling for tube V <sub>1</sub>  |           |                  |
| R <sub>4</sub>  | Resistor, 10,000 ohm, 20%, 2 watt, carbon, type BT-2   | Plate decoupling for tube V <sub>1</sub>  | IRC       | 23BV103F         |
| R <sub>5</sub>  | Resistor, 2,000 ohm, 10%, ½ watt, carbon, type 504   | Cathode bias for tube V <sub>2</sub>      | ER        | 23BX202E         |
| R <sub>6</sub>  | Same as R <sub>2</sub>   | Screen decoupling for tube V <sub>2</sub> |           |                  |
| R <sub>7</sub>  | Resistor, 0.1 megohm, 10%, ½ watt, carbon, type 504  | Screen decoupling for tube V <sub>2</sub> | ER        | 23BX104E         |
| R <sub>8</sub>  | Resistor, 8 ohm, 20%, ½ watt, carbon, type 504   | Plate decoupling for tube V <sub>2</sub>  | ER        | 23A008           |
| R <sub>9</sub>  | Same as R <sub>8</sub>   | 1st I.F. band expansion                   |           |                  |
| R <sub>10</sub> | Resistor, 0.1 megohm, ½ watt, carbon, type 504<br>(Part of T <sub>10</sub> . Shown for reference only) | AVC isolating                             | ER        | 23BX104E         |
| R <sub>11</sub> | Resistor, 10,000 ohm, 20%, wire wound, variable, type RAC35  | R-F gain control                          | CT        | 25C058           |
| R <sub>13</sub> | Resistor, 120 ohm, 10%, ½ watt, carbon, type 504   | Cathode bias for tube V <sub>3</sub>      | ER        | 23BX121E         |
| R <sub>14</sub> | Resistor, 40,000 ohm, 10%, ½ watt, carbon, type 504  | Screen decoupling for tube V <sub>3</sub> | ER        | 23BX403E         |
| R <sub>15</sub> | Resistor, 300 ohm, 10%, ½ watt, carbon, type 504   | Plate decoupling for tube V <sub>3</sub>  | ER        | 23BX301E         |
| R <sub>16</sub> | Same as R <sub>8</sub>   | 2nd I.F. band expansion                   |           |                  |
| R <sub>17</sub> | Same as R <sub>7</sub>   | AVC isolating                             |           |                  |
| R <sub>18</sub> | Same as R <sub>7</sub>   | AVC isolating                             |           |                  |

| Part Number | Description  | Value | Material | Notes  | Part Number  |
|-------------|--|-------|----------|--|--------------|
| R19         | Same as R7. (Part of T11. Shown for reference only.)   |       |          | AVC isolating                                    |              |
| R20         | Resistor, 200 ohm, 10%, 1/2 watt, carbon, type 504     |       |          | Cathode bias for tube V4                         | ER 23BX201E  |
| R21         | Same as R2   |       |          | Screen decoupling for tube V4                    |              |
| R22         | Same as R15  |       |          | Plate decoupling for tube V4                     |              |
| R23         | Same as R8   |       |          | 3rd I.F. band expansion                          |              |
| R24         | Resistor, 0.5 megohm, 20%, 1/2 watt, carbon, type 504  |       |          | Grid return for tube V5                          | ER 23BX504F  |
| R25         | Same as R15  |       |          | Cathode bias for tube V5                         |              |
| R27         | Same as R2   |       |          | Plate decoupling for tube V5                     |              |
| R28         | Resistor, 7,500 ohm, 5%, 10 watt, wire wound, type AB  |       |          | Voltage divider                                  | IRC 24BG752D |
| R29         | Same as R5   |       |          | Voltage divider                                  |              |
| R30         | Resistor, 20,000 ohm, 20%, 2 watt, carbon, type ET-2   |       |          | Voltage divider                                  | CRL 23BV203F |
| R31         | Resistor, 50,000 ohm, 10%, 1/2 watt, carbon, type 504  |       |          | Diode filter for tube V6                         | ER 23BX503E  |
| R32         | Resistor, 1 megohm, 10%, 1/2 watt, carbon, type 504    |       |          | A.N.L. resistor for tube V6                      | ER 23BX105E  |
| R33         | Same as R7   |       |          | Diode load for tube V6                           |              |
| R34         | Resistor, 0.25 megohm, 10%, 1/2 watt, carbon, type 504 |       |          | Diode load for tube V6                           | ER 23BX254E  |
| R35         | Same as R24  |       |          | AVC isolating                                    |              |
| R36         | Same as R34  |       |          | Diode load for tube V6                           |              |
| R37         | Resistor, 15,000 ohm, 10%, 1/2 watt, carbon, type 504  |       |          | Primary loading on discriminator transformer T14 | ER 23BX153E  |

|                 |  |  |              |
|-----------------|--|--|--------------|
| R <sub>38</sub> | Same as R <sub>31</sub>                                | Grid return for tube V <sub>7</sub>                        |              |
| R <sub>39</sub> | Same as R <sub>34</sub>                                | Grid return for tube V <sub>7</sub>                        |              |
| R <sub>40</sub> | Same as R <sub>7</sub>                                 | Diode load for tube V <sub>8</sub>                         |              |
| R <sub>41</sub> | Same as R <sub>7</sub>                                 | Diode load for tube V <sub>8</sub>                         |              |
| R <sub>42</sub> | Resistor, 0.2 megohm, 10%, ½ watt, carbon, type 504    | Deemphasis network for tube V <sub>8</sub>                 | ER 23BX204E  |
| R <sub>43</sub> | Resistor, 1 megohm, 20%, wire wound, variable, type 35 | A.F. Gain control  | CT 25C059    |
| R <sub>44</sub> | Same as R <sub>34</sub>                                | Plate load for tube V <sub>9</sub>                         |              |
| R <sub>45</sub> | Same as R <sub>34</sub>                                | Plate load for tube V <sub>9</sub>                         |              |
| R <sub>46</sub> | Resistor, 5,000 ohm, 10%, ½ watt, carbon, type 504     | Cathode bias for tube V <sub>9</sub>                       | ER 23BX502E  |
| R <sub>47</sub> | Same as R <sub>46</sub>                                | Cathode bias for tube V <sub>9</sub>                       |              |
| R <sub>48</sub> | Same as R <sub>32</sub>                                | Cathode bias for tube V <sub>9</sub>                       |              |
| R <sub>49</sub> | Same as R <sub>34</sub>                                | Grid return for tube V <sub>11</sub>                       |              |
| R <sub>50</sub> | Same as R <sub>34</sub>                                | Grid return for tube V <sub>12</sub>                       |              |
| R <sub>51</sub> | Same as R <sub>7</sub>                                 | A.F. balancing for tube V <sub>9</sub>                     |              |
| R <sub>52</sub> | Resistor, 250 ohm, 20%, 2 watt, carbon, type 710       | Cathode bias for tubes V <sub>11</sub> and V <sub>12</sub> | CRL 23BV251F |
| R <sub>53</sub> | Resistor, 10,000 ohm, 10%, ½ watt, carbon, type 504    | Degeneration control for tube V <sub>9</sub>               | ER 23BX103E  |
| R <sub>54</sub> | Resistor, 4,000 ohm, 20%, 2 watt, carbon, type 710     | Tone control for tubes V <sub>11</sub> and V <sub>12</sub> | CRL 23BV402F |
| R <sub>55</sub> | Same as R <sub>8</sub>                                 | Plate decoupling for tube V <sub>2</sub>                   |              |
| R <sub>56</sub> | Resistor, 0.6 megohm, 10%, ½ watt, carbon, type 504    | Meter current limiting                                     | ER 23BX604E  |
| R <sub>57</sub> | Resistor, 35 ohm, 10%, ½ watt, carbon, type 504        | "S" meter shunt  | ER 23BX350E  |

| Part            | Description   | Value | Material | Notes  | CT  | Part     |
|-----------------|---|-------|----------|--|-----|----------|
| R <sub>58</sub> | Resistor, variable, 1,500 ohm, 20%, wire wound, type 25 |       |          | "S" meter control                            |     | 25C060   |
| R <sub>59</sub> | Resistor, 3,200 ohm, 5%, 10 watt, wire wound, type AB   |       |          | Voltage dropping for tube V <sub>10</sub>    | IRC | 24BC322D |
| R <sub>60</sub> | Resistor, 25,000 ohm, 20%, 2 watt, carbon, type 710     |       |          | Plate decoupling for tube V <sub>14</sub>    | CRL | 23BV253F |
| R <sub>61</sub> | Same as R <sub>31</sub>                                 |       |          | Grid return for tube V <sub>14</sub>         |     |          |
| R <sub>62</sub> | Same as R <sub>15</sub>                                 |       |          | Plate decoupling for tube V <sub>15</sub>    |     |          |
| R <sub>63</sub> | Same as R <sub>46</sub>                                 |       |          | Plate decoupling for tube V <sub>15</sub>    |     |          |
| R <sub>64</sub> | Resistor, 20,000 ohm, 10%, 1/2 watt, carbon, type 504   |       |          | Grid return for tube V <sub>15</sub>         | ER  | 23BX203E |
| R <sub>65</sub> | Same as R <sub>57</sub>                                 |       |          | Grid current control on tube V <sub>15</sub> |     |          |
| R <sub>66</sub> | Same as R <sub>2</sub>                                  |       |          | Screen decoupling for tube V <sub>2</sub>    |     |          |
| R <sub>67</sub> | Same as R <sub>2</sub>                                  |       |          | Plate decoupling for tube V <sub>2</sub>     |     |          |
| R <sub>68</sub> | Resistor, 6 ohm, 10%, 1/2 watt, carbon, type 504        |       |          | Grid current control on tube V <sub>15</sub> | ER  | 23A011   |
| R <sub>70</sub> | Same as R <sub>57</sub>                                 |       |          | Parasitic suppressor for tube V <sub>5</sub> |     |          |
| R <sub>71</sub> | Same as R <sub>8</sub>                                  |       |          | Parasitic suppressor for tube V <sub>1</sub> |     |          |
| R <sub>72</sub> | Resistor, 25,000 ohm, 20%, 1/2 watt, carbon, type 504   |       |          | Panoramic adapter coupling impedance         | ER  | 23BX253F |

C1A  
C1B  
C1C

Unit 48B048

Capacitor, variable, 47.5 mmfd per section maximum capacity, 3 section, air, special type.

Receiver tuning  
OM  
(C1A, C1B and C1C on same frame and ganged together)  
RC 48A039

C2 Capacitor, 25 mmfd., variable, 3/4 inch shaft, air, special type

Antenna trimmer for transformers T1, T2, T3

C3 Capacitor, 5-6.5 mmfd., 5%, 500 V. D-C, ceramic, type 807-004

Shunt capacitor for transformers T1, T2

C4 Capacitor, 0.002 mfd., 20%, 500 V. D-C, mica, wax sealed, type 1462

Cathode by-pass for tube V1  
A 47BR202F-S

C5 Capacitor, 300 mmfd., 10%, 500V. D-C, moulded mica, wax sealed, type 5W

Screen by-pass for tube V1  
CD 47BU301E-S

C6 Same as C4

Plate return for tube V1

C7 Capacitor, 10 mmfd., 10%, 500V. D-C, ceramic, type 811-077

Coupling between tubes V1 and V2  
CRL 47A006

C8 Capacitor, 0.01 mfd., ± 20%, 600V. D-C, mica, wax sealed, type 342

AVC by-pass  
A 46AG103F-S

C9 Same as C5

Oscillator coupling between tubes V2 and V15

C10 Same as C5

Screen by-pass for tube V2

C11 Capacitor, 50 mmfd., 20%, 500V. D-C moulded mica, wax sealed, type 5W

Plate return for tube V2  
CD 47BU500F-S

C12 Capacitor, 0.001 mfd., 20%, 500V. D-C mica, wax sealed, type 1468 (Part of T10. Shown for reference only)

AVC by-pass for tube V3  
A 47BR102F-S

C13 Same as C8

Cathode by-pass for tube V3

C14 Same as C8

Screen by-pass for tube V3

|     |  |  |                   |
|-----|--|--|-------------------|
| C15 | Same as C8   | Plate return for tube V3                   |                   |
| C16 | Same as C12 (Part of T11. Shown for reference only)  | AVC by-pass for tube V4                    |                   |
| C17 | Same as C8   | Cathode by-pass for tube V4                |                   |
| C18 | Same as C8   | Screen by-pass for tube V4                 |                   |
| C19 | Same as C8   | Plate return for tube V4                   |                   |
| C20 | Same as C11  | Grid coupling for tube V5                  |                   |
| C21 | Same as C8   | Cathode by-pass for tube V5                |                   |
| C22 | Same as C8   | Screen by-pass for tube V5                 |                   |
| C23 | Same as C8   | Plate return for tube V5                   |                   |
| C24 | Same as C11  | Diode return for tube V6                   |                   |
| C25 | Capacitor, 0.05 mfd., -6+14%, 500V. D-C type 7678  | A.N.L. by-pass                             | IC 46A005         |
| C26 | Same as C11  | Diode filter for tube V6                   |                   |
| C27 | Capacitor, 100 mmfd., 10%, 500V. D-C moulded mica, wax sealed, type 1468                   | AVC filter                                 | A 47BU101E-S      |
| C28 | Capacitor, 500 mmfd., 20%, 500V. D-C moulded mica, wax sealed, type 5W                     | AVC filter                                 | CD 47BU501F-S     |
| C29 | Capacitor, 25 mmfd., 20%, 600V. D-C, mica, type 5W (Part of T14. Shown for reference only) | Coupling for discriminator transformer T14 | CD Part of 50C079 |
| C30 | Same as C4   | Plate return for tube V7                   |                   |
| C31 | Same as C11  | Cathode by-pass for tube V8                |                   |
| C32 | Same as C28  | Deemphasis circuit for tube V8             |                   |

|                 |  |   |           |
|-----------------|--|---|-----------|
| C <sub>33</sub> | Same as C <sub>8</sub>   | Coupling for tube V <sub>9</sub>                              |           |
| C <sub>34</sub> | Capacitor, 20 mfd., -20+50%, 25V. D-C type 1B113   | Cathode by-pass for tube V <sub>9</sub>                       | IC 46A011 |
| C <sub>35</sub> | Same as C <sub>34</sub>  | Cathode by-pass for tube V <sub>9</sub>                       |           |
| C <sub>36</sub> | Same as C <sub>8</sub>   | Coupling between tubes V <sub>9</sub> and V <sub>12</sub>     |           |
| C <sub>37</sub> | Same as C <sub>8</sub>   | Coupling between tubes V <sub>9</sub> and V <sub>11</sub>     |           |
| C <sub>38</sub> | Same as C <sub>34</sub>  | Cathode by-pass for tubes V <sub>11</sub> and V <sub>12</sub> |           |
| C <sub>39</sub> | Same as C <sub>4</sub>   | Grid by-pass  |           |
| C <sub>40</sub> | Same as C <sub>8</sub>   | Degeneration for tube V <sub>9</sub>                          |           |
| C <sub>41</sub> | Same as C <sub>25</sub>  | Tone control for tubes V <sub>11</sub> and V <sub>12</sub>    |           |
| C <sub>42</sub> | Capacitor, 8 mfd., -3+10%, 650 V. D-C, working (C <sub>42</sub> , C <sub>43</sub> and C <sub>44</sub> in same container) type 7392 | Power supply filter   | IC 42B043 |
| C <sub>43</sub> |  |   |           |
| C <sub>44</sub> |  |   |           |
| C <sub>45</sub> | Same as C <sub>5</sub>   | Heater by-pass for tube V <sub>15</sub>                       |           |
| C <sub>46</sub> | Same as C <sub>5</sub>   | Heater by-pass for tube V <sub>2</sub>                        |           |
| C <sub>47</sub> | Same as C <sub>5</sub>   | Heater by-pass for tube V <sub>1</sub>                        |           |
| C <sub>48</sub> | Same as C <sub>8</sub>   | Power line filter in primary of transformer T <sub>16</sub>   |           |
| C <sub>49</sub> | Same as C <sub>8</sub>   | Power line filter in primary of transformer T <sub>16</sub>   |           |
| C <sub>50</sub> | Same as C <sub>8</sub>   | Power line filter in primary of transformer T <sub>16</sub>   |           |

RA SYMBOL NAME OF PART AND DESCRIPTION MFR. CODE CONTR'S PART NO.

| RA SYMBOL | NAME OF PART AND DESCRIPTION  | FUNCTION  | MFR. CODE | CONTR'S PART NO. |
|-----------|---|---|-----------|------------------|
| C51       | Same as C8  | Power line filter in primary of transformer T16 |           |                  |
| C52       | Same as C4  | Plate decoupling for tube V14                   |           |                  |
| C53       | Same as C27   | Grid coupling for tube V14                      |           |                  |
| C54       | Capacitor, 200 mmfd., 10%, 500V. D-C, zero temperature coefficient, ceramicon, type 814XL-118 | B.F.O. tuning                                   | CRL       | 47A026           |
| C55       | Same as C5  | Plate decoupling for tube V15                   |           |                  |
| C56       | Capacitor, 50 mmfd., 10%, 500V. D-C, ceramicon, type 812-109                                  | Plate blocking for tube V15                     | CRL       | 47A025           |
| C57       | Capacitor, 0.001 mfd., 20%, 500V. D-C, mica, wax sealed, type 1462                            | Grid coupling for tube V15                      | A         | 47BU102F-S       |
| C58       | Capacitor, 450 mmfd (nominal), 10%, mica, adjustable, special mounting bracket, special       | Padding for transformer T7                      | UE        | 44A050           |
| C59       | Capacitor, 2 mmfd, twisted wire   | Coupling between tubes V6 and V14               |           |                  |
| C60       | Capacitor, 3.5-23.0 mmfd., variable, air, special type  | Pitch control for tube V14                      | RC        | 48A064           |
| C61       | Same as C4  | Screen filter for tube V2                       |           |                  |
| C62       | Same as C8  | Plate decoupling for tube V2                    |           |                  |
| C63       | Capacitor, 3-50 mmfd., 5%, 500V. D-C working, adjustable, ceramic, type A                     | Trimmer for transformer T4                      | UE        | 44A049           |
| C64       | Same as C63   | Trimmer for transformer T5                      |           |                  |
| C65       | Same as C63   | Trimmer for transformer T6                      |           |                  |
| C66       | Capacitor, 1-12 mmfd., adjustable, type 22-5230   | Trimmer for transformer T7                      | MN        | 48A031           |



C67 Same as C66

C68

C69

C70

C71

C72

C73

C74

C75

C76

C77

C78

C79

T1

Capacitor, 75-110 mmfd., adjustable, type SD2180, (C68 and C69 part of T10) (C70 and C71 part of T11) (C72 and C73 part of T12) Shown for reference only

Capacitor, 34-67 mmfd., adjustable, type SD2144 (C74 and C75, part of T14) Shown for reference only

Same as C68 and C69 (part of T13) Shown for reference only

Transformer, 27.8-47 MC, adjustable, air core, type 651

Trimmer for transformer T8

Primary trimmer for transformer T10  
Secondary trimmer for transformer T10

Primary trimmer for transformer T11  
Secondary trimmer for transformer T11

Primary trimmer for transformer T12  
Secondary trimmer for transformer T12

Primary trimmer for transformer T14  
Secondary trimmer for transformer T14

Primary trimmer for transformer T13  
Secondary trimmer for transformer T13

Plate decoupling for tube V1

A.F. balance for transformer T15

Antenna transformer - Band 1

SI

SI

SI

SI

SI

Part of 50C075

Part of 50C076

Part of 50C077

Part of 50C079

Part of 50C078

SWI

51A265

|                 |  |   |     |        |
|-----------------|--|---|-----|--------|
| T <sub>2</sub>  | Transformer, 46-82 MC, adjustable, air core, type 654          | Antenna transformer - Band 2                                    | SWI | 51-268 |
| T <sub>3</sub>  | Transformer, 82-143 MC, adjustable, air core, type 657         | Antenna transformer - Band 3                                    | SWI | 51A271 |
| T <sub>4</sub>  | Transformer, 27.8-47 MC, adjustable, air core, type 652        | R-F transformer - Band 1  | SWI | 51-266 |
| T <sub>5</sub>  | Transformer, 46-82 MC, adjustable, air core, type 655          | R-F transformer - Band 2  | SWI | 51-269 |
| T <sub>6</sub>  | Transformer, 82-143 MC, adjustable, air core, type 658         | R-F transformer - Band 3  | SWI | 51-272 |
| T <sub>7</sub>  | Transformer, 27.8-47 MC, adjustable, air core, type 653        | Oscillator transformer - Band 1                                 | SWI | 51-267 |
| T <sub>8</sub>  | Transformer, 46-82 MC, adjustable, air core, type 656          | Oscillator transformer - Band 2                                 | SWI | 51-270 |
| T <sub>9</sub>  | Transformer, 82-143 MC, adjustable, air core, type 659         | Oscillator transformer - Band 3                                 | SWI | 51-273 |
| T <sub>10</sub> | Transformer, 5.25 MC, coupling adjustable, iron core, type 663 | I-F transformer between tubes V <sub>2</sub> and V <sub>3</sub> | SWI | 50C075 |
| T <sub>11</sub> | Transformer, 5.25 MC, coupling adjustable, iron core, type 664 | I-F transformer between tubes V <sub>3</sub> and V <sub>4</sub> | SWI | 50C076 |
| T <sub>12</sub> | Transformer, 5.25 MC, coupling adjustable, iron core, type 665 | I-F transformer between tubes V <sub>4</sub> and V <sub>5</sub> | SWI | 50C077 |
| T <sub>13</sub> | Transformer, 5.25 MC, coupling adjustable, iron core, type 666 | I-F transformer between tubes V <sub>5</sub> and V <sub>6</sub> | SWI | 50C078 |
| T <sub>14</sub> | Transformer, 5.25 MC, coupling adjustable, iron core, type 667 | Discriminator transformer                                       | SWI | 50C079 |

| GT              | 55B019 | Audio output transformer  |
|-----------------|--------|---|
| T <sub>15</sub> |        | Transformer, primary; push-pull, 2000 ohms plate to plate; secondary; 5000 ohms, tapped at 500 ohms, 600 ohms center tapped, type 3A452                                 |
| T <sub>16</sub> |        | Transformer, standard; primary, 117V. A-C, single phase, 50/60 cycles, secondary, 550V. A-C, @ 110 milliamperes, 6.3V. A-C @ 4 amperes, 5V. A-C @ 3 amperes, type 10P17 |
|                 | 52C032 | A-C power transformer for CHL-46130   |
|                 | 52C058 | A-C power transformer for CHL-46130-A and CHL-46130-B   |
| L <sub>1</sub>  | 56B006 | Inductor, 2 henries, 150 ma., d-c resistance 85 ohms, 10%, iron core, type 10C3   |
| L <sub>2</sub>  | 56B007 | Inductor, 10 henries, 80 ma., iron core, type 10C2  |
| L <sub>3</sub>  | 53-009 | Inductor, fixed; dowl wound, type 662   |
| L <sub>4</sub>  | 53-008 | Inductor, 14.5-15.0 microhenries, similar to L <sub>3</sub> , type 661  |
| L <sub>5</sub>  | 53A007 | Inductor, fixed, shielded, type 660   |
| L <sub>6</sub>  |        | Same as L <sub>5</sub>  |
| L <sub>7</sub>  | 54-013 | Inductor, 5.25 MC, adjustable, iron core, type 668  |
| S <sub>1</sub>  | 60B044 | Switch, 7 section, 3 position, ceramic wafers, rotary, type 7AHC3991E   |
| S <sub>2</sub>  | 60A116 | Switch, 250V., 1 ampere, SPST toggle, 15/32 inch bushing, type 20994  |
| S <sub>3</sub>  |        | Switch, SPST, on the back of R <sub>11</sub>  |
| S <sub>4</sub>  |        | Same as S <sub>2</sub>  |
|                 |        | Power supply filter choke   |
|                 |        | Power supply filter choke   |
|                 |        | Choke for heater of tube V <sub>15</sub>  |
|                 |        | Plate choke for tube V <sub>15</sub>  |
|                 |        | Primary filter choke for transformer T <sub>16</sub>  |
|                 |        | Primary filter choke for transformer T <sub>16</sub>  |
|                 |        | Best frequency oscillator coil  |
|                 |        | Wave band selector  |
|                 |        | B.F.O. "ON-OFF"   |
|                 |        | "S-Meter" switch  |
|                 |        | A.V.C. "ON-OFF"   |

|                 |   |  |           |
|-----------------|---|--|-----------|
| S <sub>5</sub>  | Same as S <sub>2</sub>  | "Send-Receive" (high voltage center tap) of transformer T <sub>16</sub> to ground) |           |
| S <sub>6</sub>  | Switch, 250V., 1 ampere, DPST toggle, 15/32 inch bushing, type 8360K2                                   | Noise limiter switch   | CH 60A123 |
| S <sub>7</sub>  | Switch, 3 section, 3 position, rotary, type QH3AC   | Selectivity switching  | OM 60B043 |
| S <sub>8</sub>  | Switch, single section rotary, type 18383QH   | AM-FM selecting switch   | OM 60B045 |
| S <sub>9</sub>  | Switch, single section rotary, type 18869-53  | Tone switching   | OM 60B050 |
| M <sub>1</sub>  | Meter, micro ammeter, 160-0-40 microamperes, type #701  | AM-FM tuning meter   | BE 82A006 |
| TS <sub>1</sub> | Terminal strip, black bakelite, marked A <sub>1</sub> , A <sub>2</sub>                                  | Antenna terminal strip   | H 8A039   |
| TS <sub>2</sub> | Terminal strip, black bakelite, marked 5000   | 5000 ohm speaker terminal strip  | H 8A040   |
| TS <sub>3</sub> | Terminal strip, black bakelite, marked 500  | 500 ohm speaker terminal strip   | H 8A041   |
| TS <sub>4</sub> | Terminal strip, mica-filled bakelite, marked 600 OHM, GND., C.T.  | 600 ohm winding center tap terminal for external ground connection                 | H 8A072   |
| P <sub>1</sub>  | Plug, bakelite, octal, shorting plug  | Power supply shorting plug for A-C operation                                       | AP 35A003 |
| P <sub>2</sub>  | Plug with line cord, 2 conductor, rubber covered, length 6 feet, spring type moulded on plug, type 1750 | A-C line connection  | B 87A125  |

|                 |   |                                |     |           |
|-----------------|---|--------------------------------|-----|-----------|
| SO <sub>1</sub> | Socket, bakelite, octal, type MIP-8, marked PWR                   | D-C power supply connection    | AP  | 60A050    |
| SO <sub>2</sub> | Socket, two circuit, type 4002T                                   | Standby connection             | AL  | 10A015    |
| SO <sub>3</sub> | Socket, concentric line, type 83-IR                               | Panoramic adapter receptacle   | AP  | 10A056    |
| J <sub>1</sub>  | Jack, std. tip and sleeve, type ST-1003, $\frac{1}{2}$ inch shank | Headphone connection           | U   | 36B008    |
| LM <sub>1</sub> | Lamp, 6.3V. 250 ma., bayonet base, type #44                       | Main tuning dial light         | GE  | 39A003    |
| LM <sub>2</sub> | Same as LM <sub>1</sub>   | Vernier scale dial             |     |           |
| LM <sub>3</sub> | Lamp, 6.3V. 150 ma., bayonet base, type #47                       | Tuning meter dial illumination | GE  | 39A004    |
| V <sub>1</sub>  | Tube, acorn, pentode, type 956                                    | R-F amplifier                  | RCA | 90X956    |
| V <sub>2</sub>  | Tube, acorn, pentode, type 954                                    | 1st detector                   | RCA | 90X954    |
| V <sub>3</sub>  | Tube, pentode, type 6AC7  | 1st I-F amplifier              | RCA | 90X6AC7   |
| V <sub>4</sub>  | Tube, pentode, type 6AB7  | 2nd I-F amplifier              | RCA | 90X6AB7   |
| V <sub>5</sub>  | Tube, pentode, type 6SK7  | 3rd I-F amplifier              | RCA | 90X6SK7   |
| V <sub>6</sub>  | Tube, duo-diode, type 6H6   | 2nd detector and A-N-L         | RCA | 90X6H6    |
| V <sub>7</sub>  | Same as V <sub>3</sub>  | F-M limiter                    |     |           |
| V <sub>8</sub>  | Same as V <sub>6</sub>  | F-M discriminator              |     |           |
| V <sub>9</sub>  | Tube, duo-triode, type 6SL7GT                                     | Audio amplifier                | RCA | 90X6SL7GT |
| V <sub>10</sub> | Tube, gas filled diode, type VR-150                               | Voltage regulator              | RCA | 90XVR-150 |
| V <sub>11</sub> | Tube, beam power amplifier, type 6V6GT                            | Audio output                   | RCA | 90X6V6GT  |
| V <sub>12</sub> | Same as V <sub>11</sub>   | Audio output                   |     |           |
| V <sub>13</sub> | Tube, duo-diode, type 5U4G  | Plate supply rectifier         | RCA | 90X5U4G   |
| V <sub>14</sub> | Tube, triode amplifier, type 6J5                                  | Beat frequency oscillator      | RCA | 90X6J5    |
| V <sub>15</sub> | Tube, acorn, triode, type 955                                     | High frequency oscillator      | RCA | 90X955    |

## G. INDEX TO PARTS MANUFACTURERS

| SYMBOL | MANUFACTURER   | SYMBOL | MANUFACTURER                                       |
|--------|--|--------|--|
| A      | Aerovox Corp.<br>New Bedford, Mass.                        | HH     | Hart & Hegeman Electric Co<br>Hartford, Conn.      |
| AL     | Alden Manufacturing Co.<br>Brockton, Mass.                 | IC     | Industrial Condenser<br>Chicago, Illinois          |
| AP     | American Phenolic Corp.<br>Chicago, Illinois               | IRC    | International Resistance Co.<br>Philadelphia, Pa.  |
| B      | Belden Mfg. Co.<br>Chicago, Illinois                       | MN     | Meissner Manufacturing Co.<br>Mt. Carmel, Illinois |
| BE     | Beede Electrical Instrument Co.<br>Chicago, Illinois       | OM     | Oak Manufacturing<br>Chicago, Illinois             |
| CD     | Cornell-Dubilier Electric Corp.<br>South Plainfield, N. J. | RC     | Radio Condenser Corp.<br>Chicago, Illinois         |
| CH     | Cutler-Hammer<br>Milwaukee, Wis.                           | RCA    | RCA Manufacturing Co., Inc.<br>Camden, N. J.       |
| CRL    | Centralab<br>Milwaukee, Wis.                               | SI     | F. W. Sickles Co.<br>Springfield, Mass.            |
| CT     | Chicago Telephone Supply Co.<br>Chicago, Illinois          | ST     | Standard Transformer Corp.<br>Chicago, Illinois    |
| ER     | Erie Resistor<br>Erie, Pa.                                 | SWI    | S. W. Inductor Co.<br>Chicago, Illinois            |
| GE     | General Electric Co.<br>Chicago, Illinois                  | U      | Utah Products Company<br>Chicago, Illinois         |
| GT     | General Transformer Corp.<br>Chicago, Illinois             | UE     | Underwood Electric Co.<br>Chicago, Illinois        |
| H      | The Hallicrafters Co.<br>Chicago, Illinois                 |        |  |

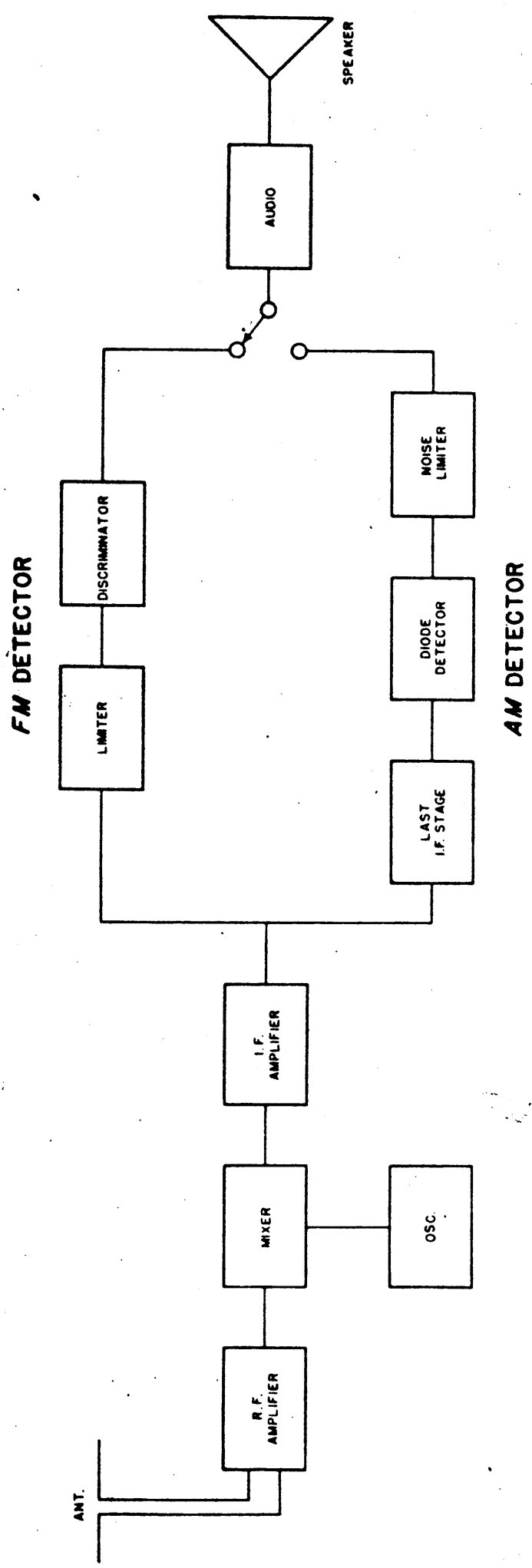
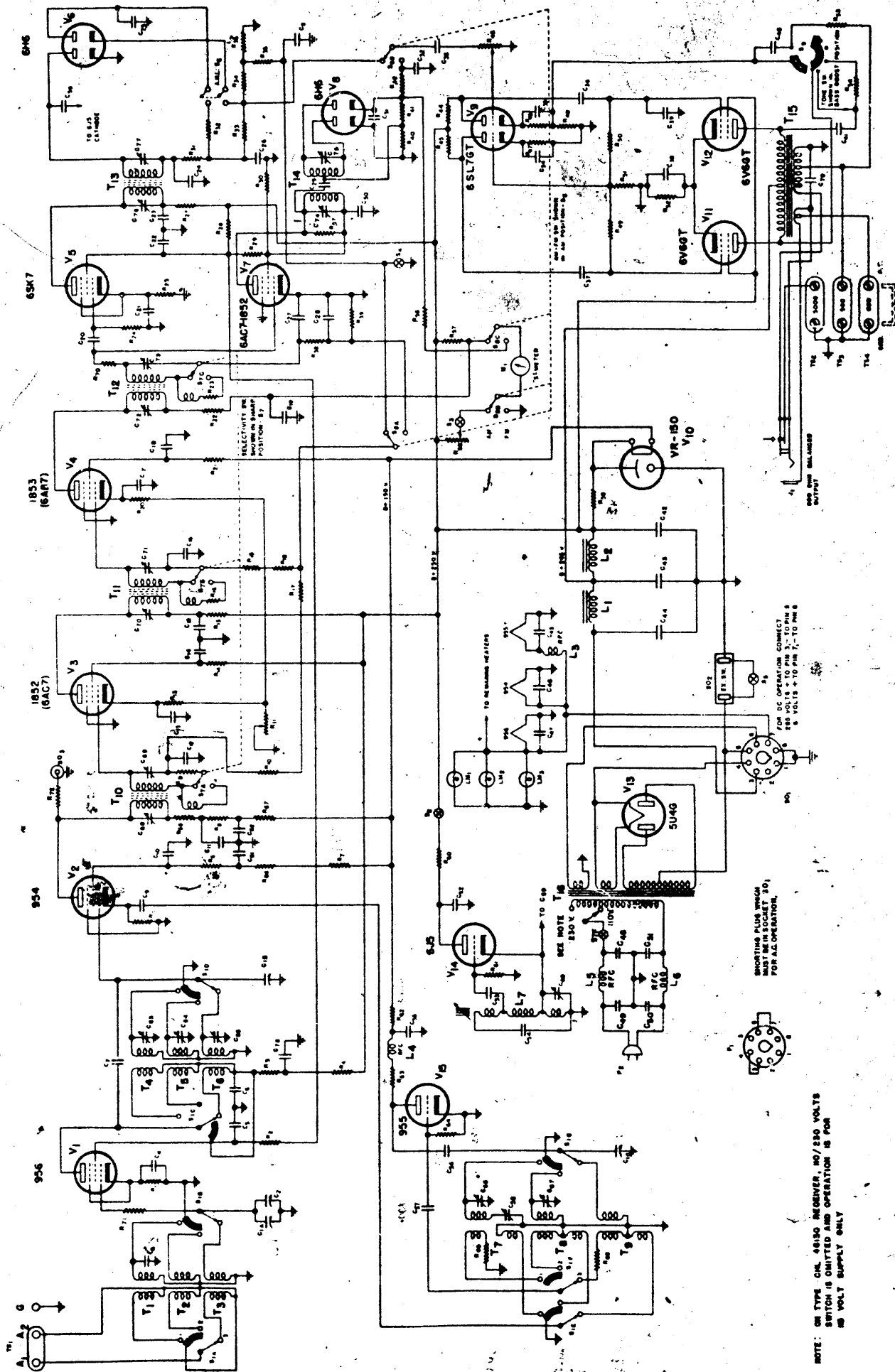


Fig. 1 - CHL-46130 Receiver - Block diagram



FOR DC OPERATION CONNECT  
 850 VOLTS + TO PIN 2, - TO PIN 8  
 & VOLTS + TO PIN 7, - TO PINS 6

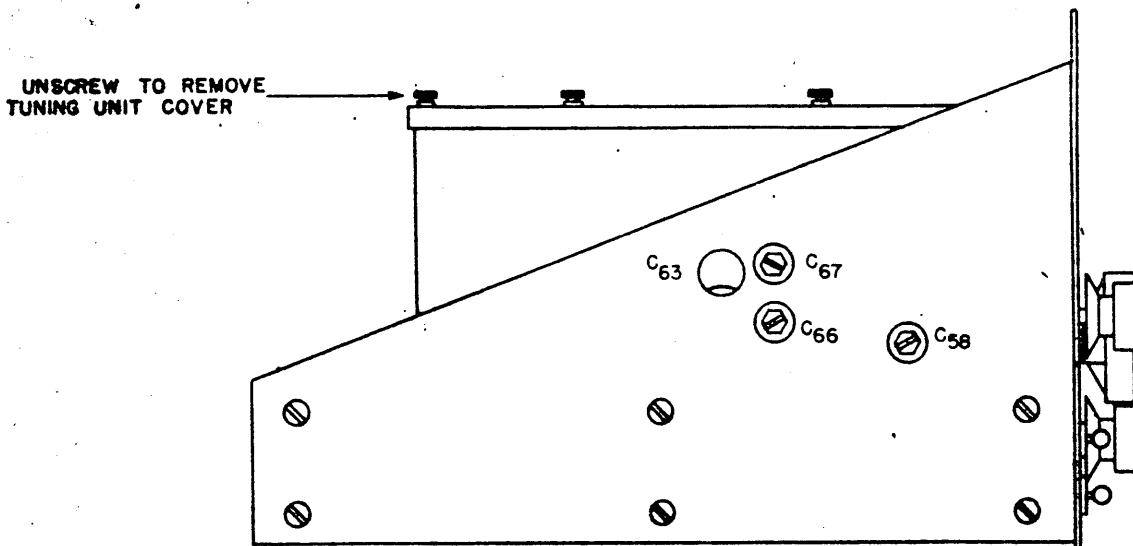
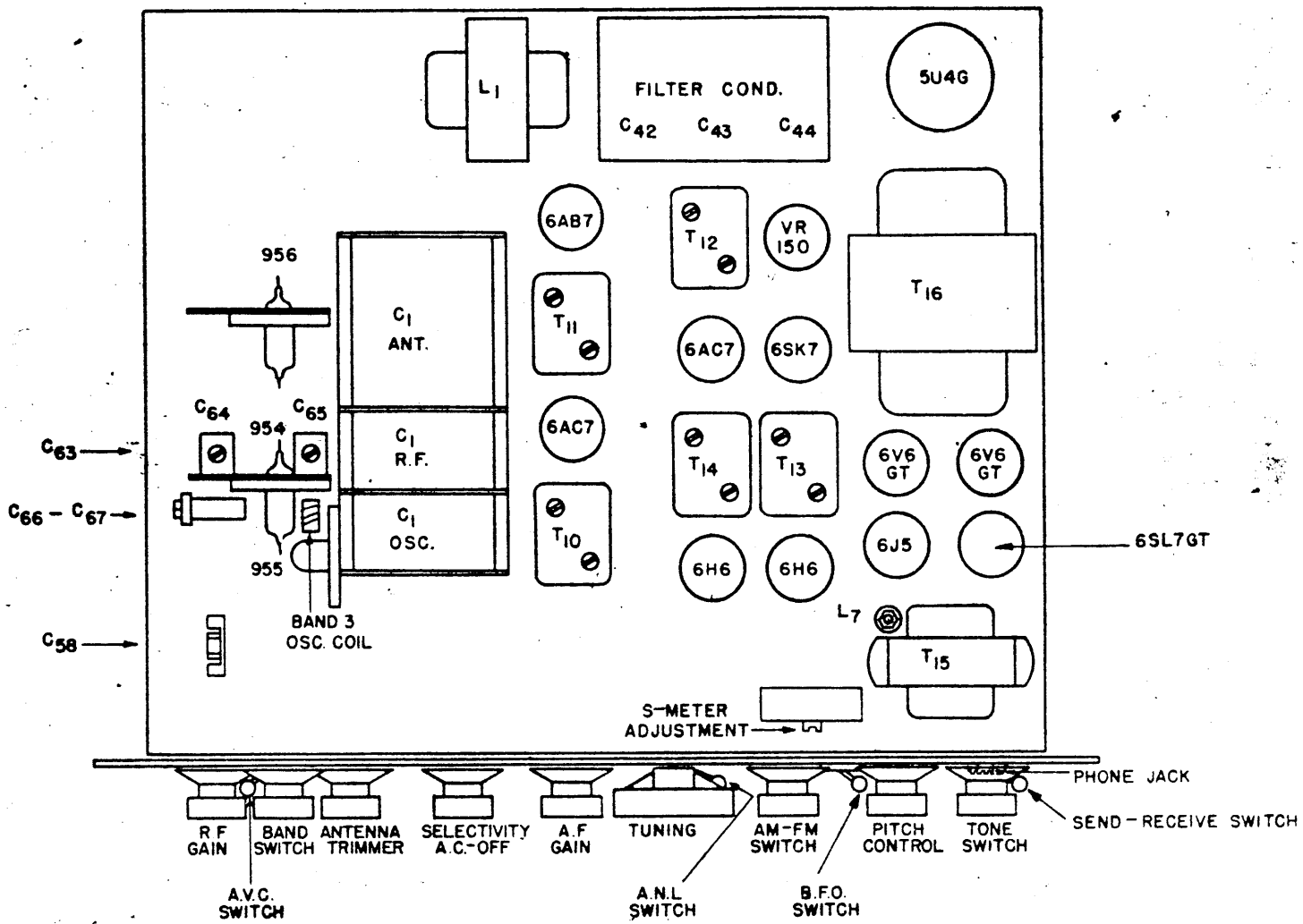
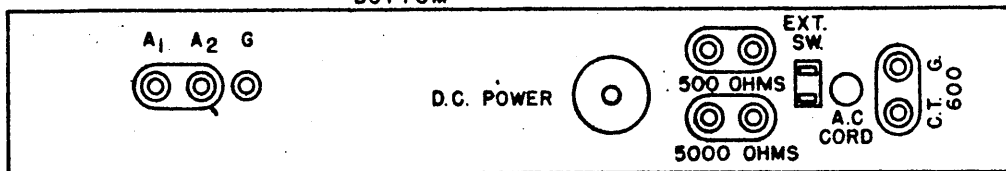
SHORTING PLUS SIGNUM  
 MUST BE IN SOCKET 20,  
 FOR ALL OPERATION.

NOTE: ON TYPE CHL 46130 RECEIVER, NO/250 VOLTS  
 SWITCH IS OMITTED AND OPERATION IS FOR  
 100 VOLT SUPPLY ONLY

Fig. 2 - CHL-46130 Receiver - Schematic



**BOTTOM**



**Fig. 3 - CHL-46130 Receiver - Location of important parts**

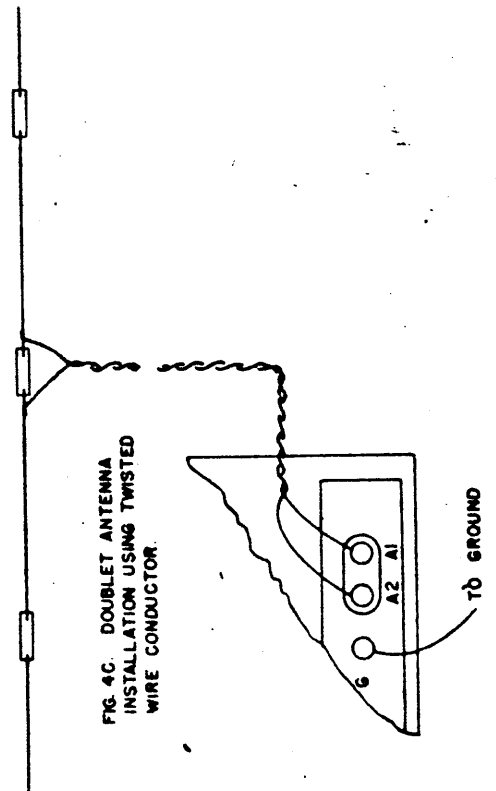
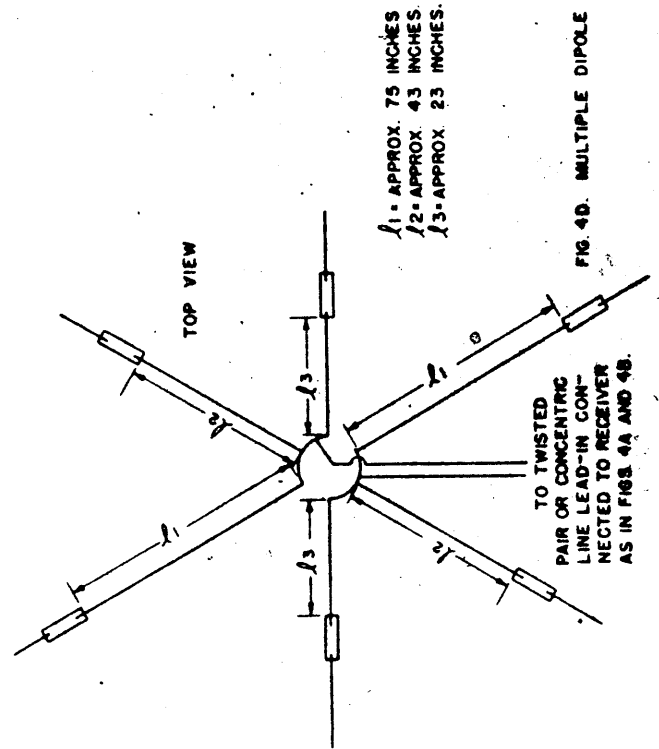
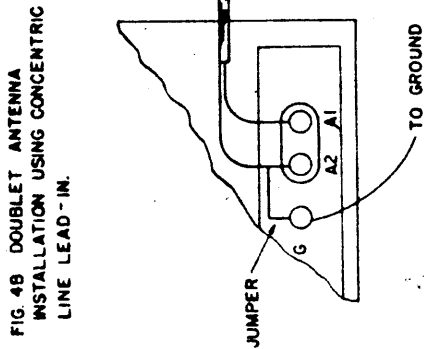
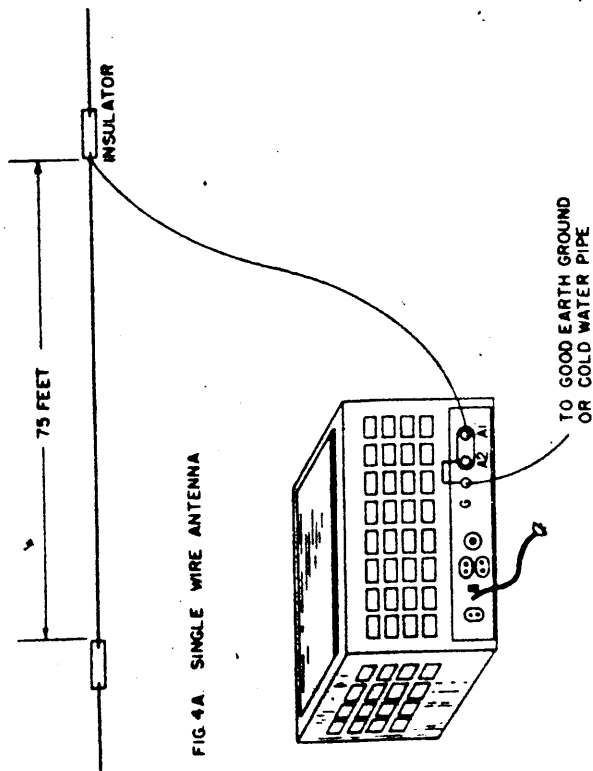


Fig. 4 - Model RBK-( ) Antenna installation

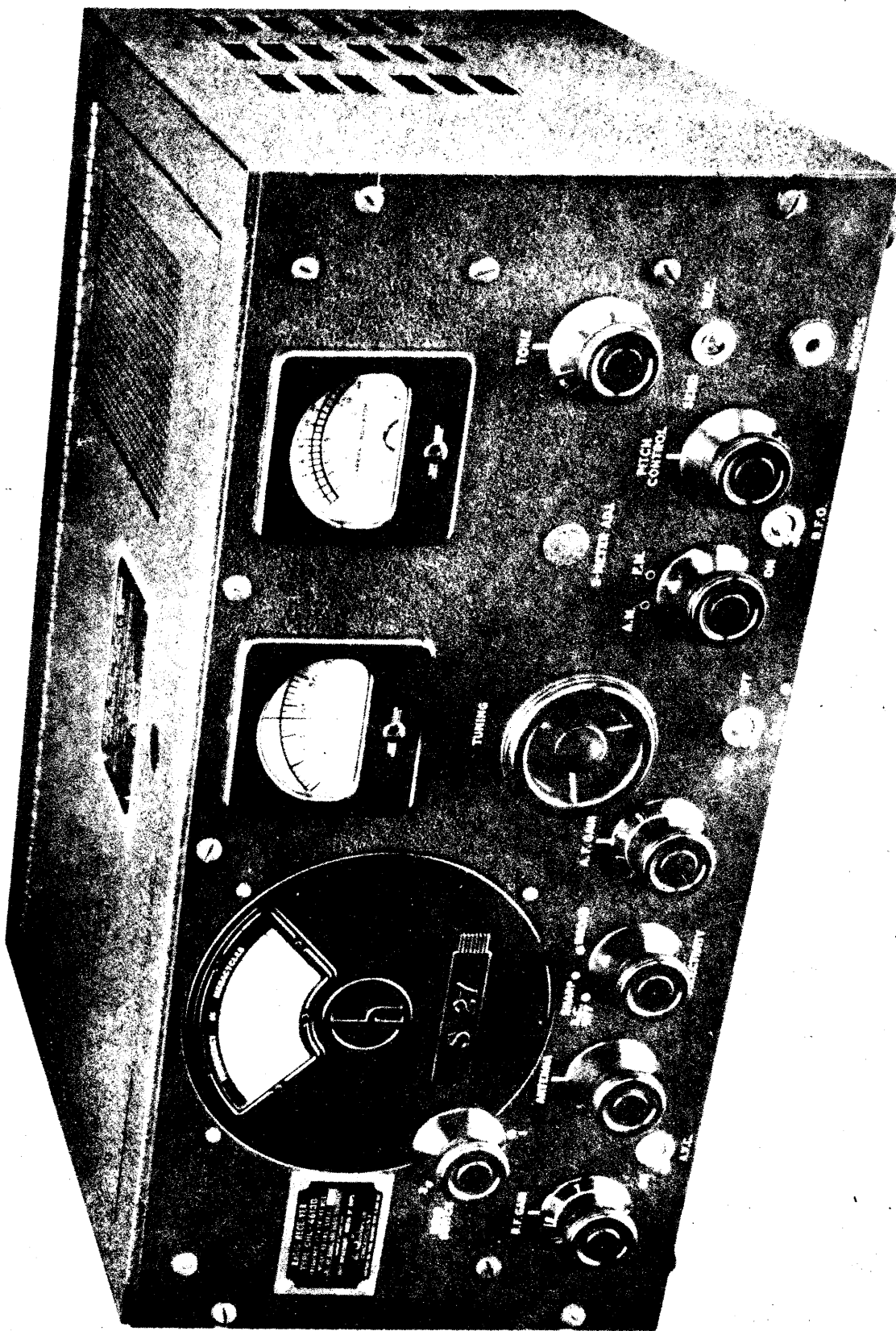


Fig. 5 - Model RBK-( ) Front View

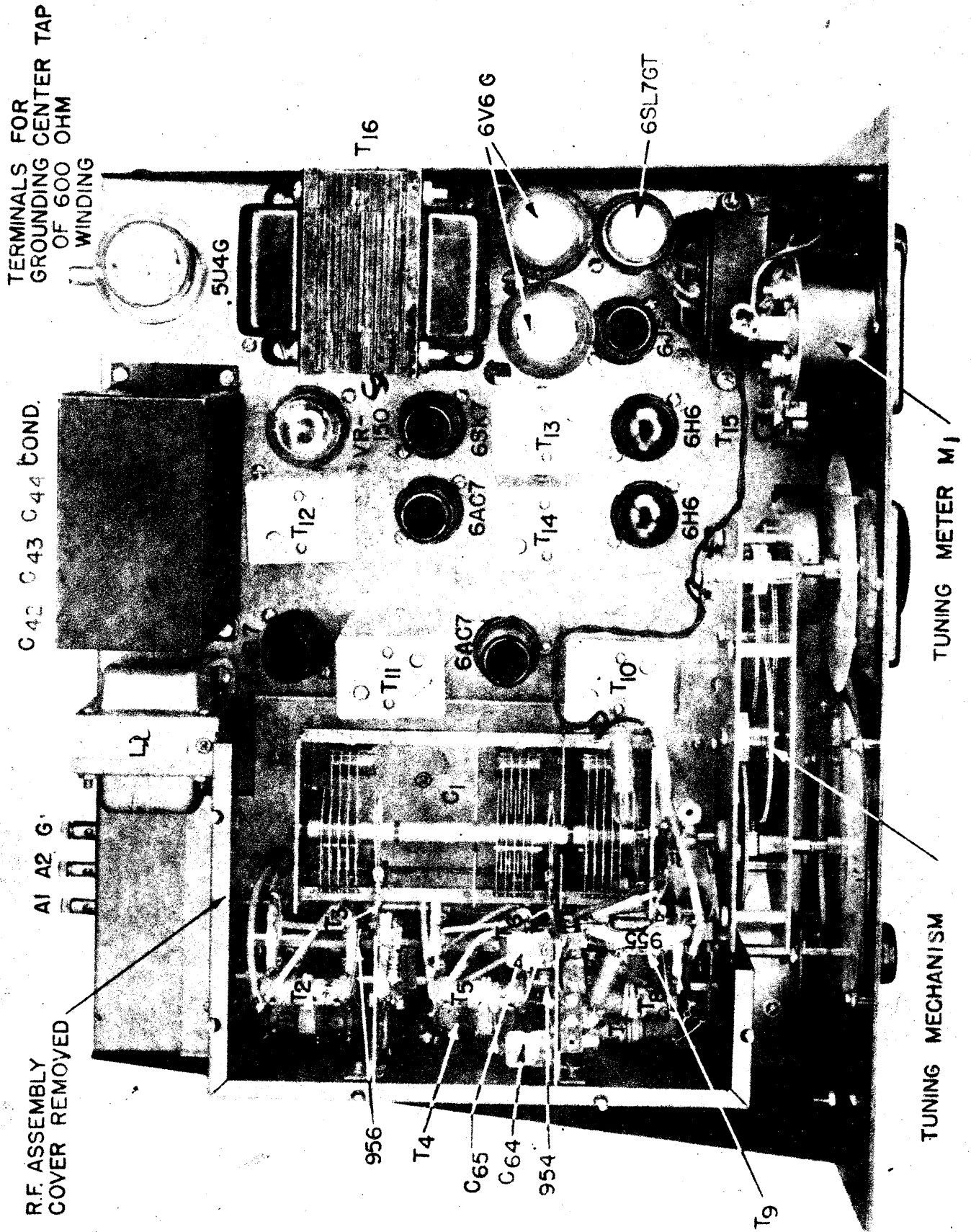


Fig. 6 - CHL-46130 Receiver - Top View

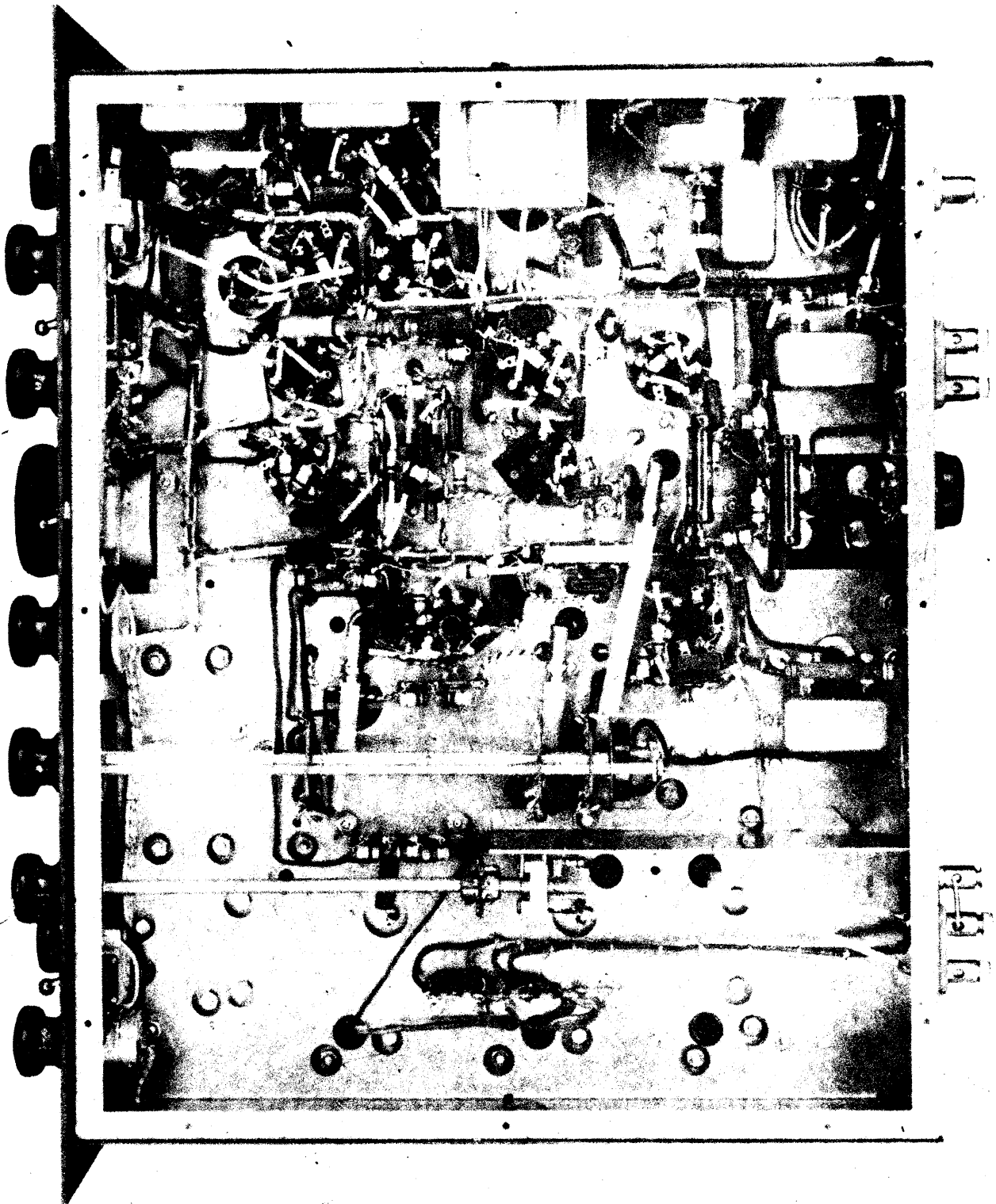
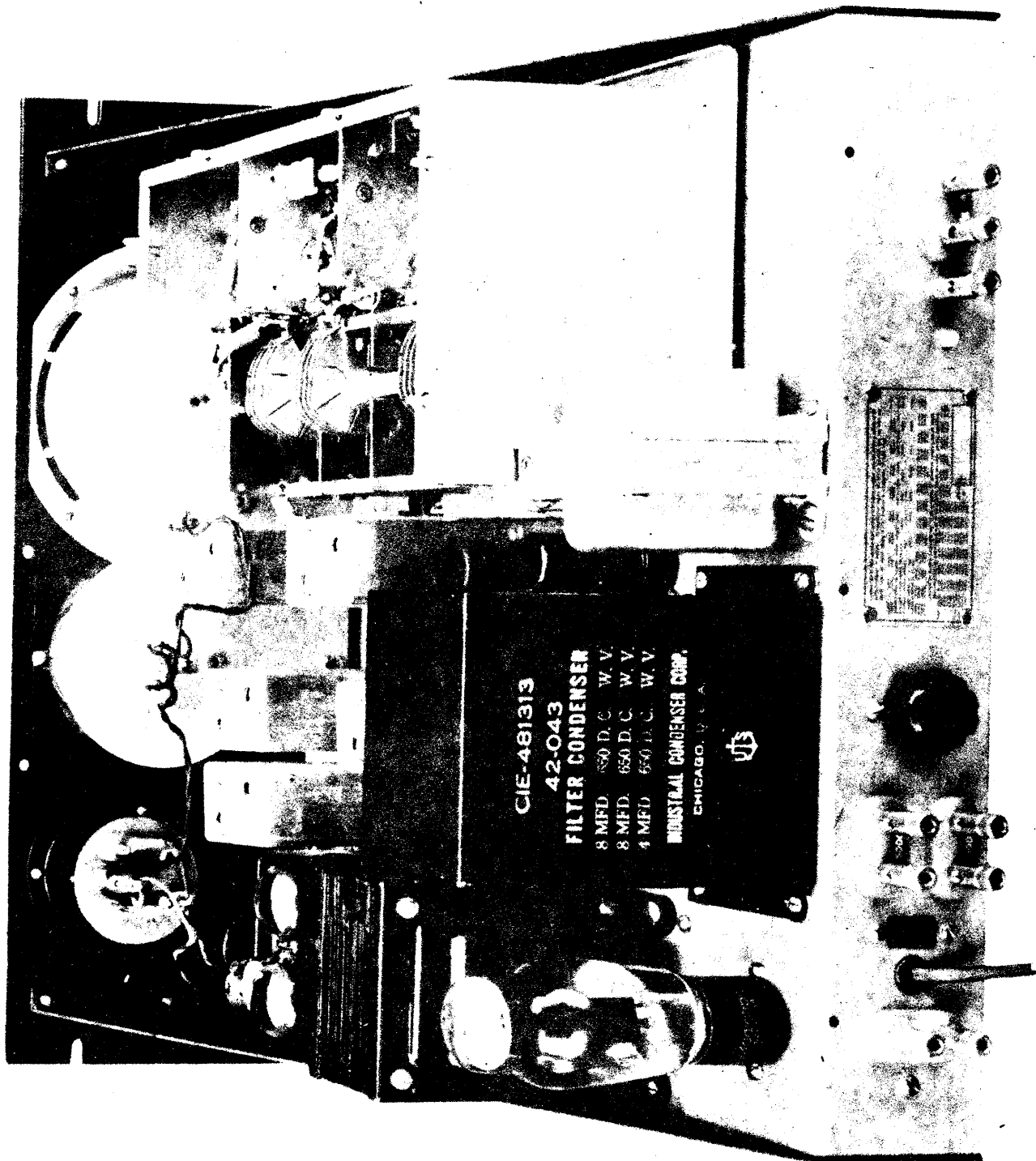


Fig. 7 - CHL-46130 Receiver - Bottom View



CIE-481313

42-043

FILTER CONDENSER

8 MFD. 650 D.C. W.V.

8 MFD. 650 D.C. W.V.

4 MFD. 650 D.C. W.V.

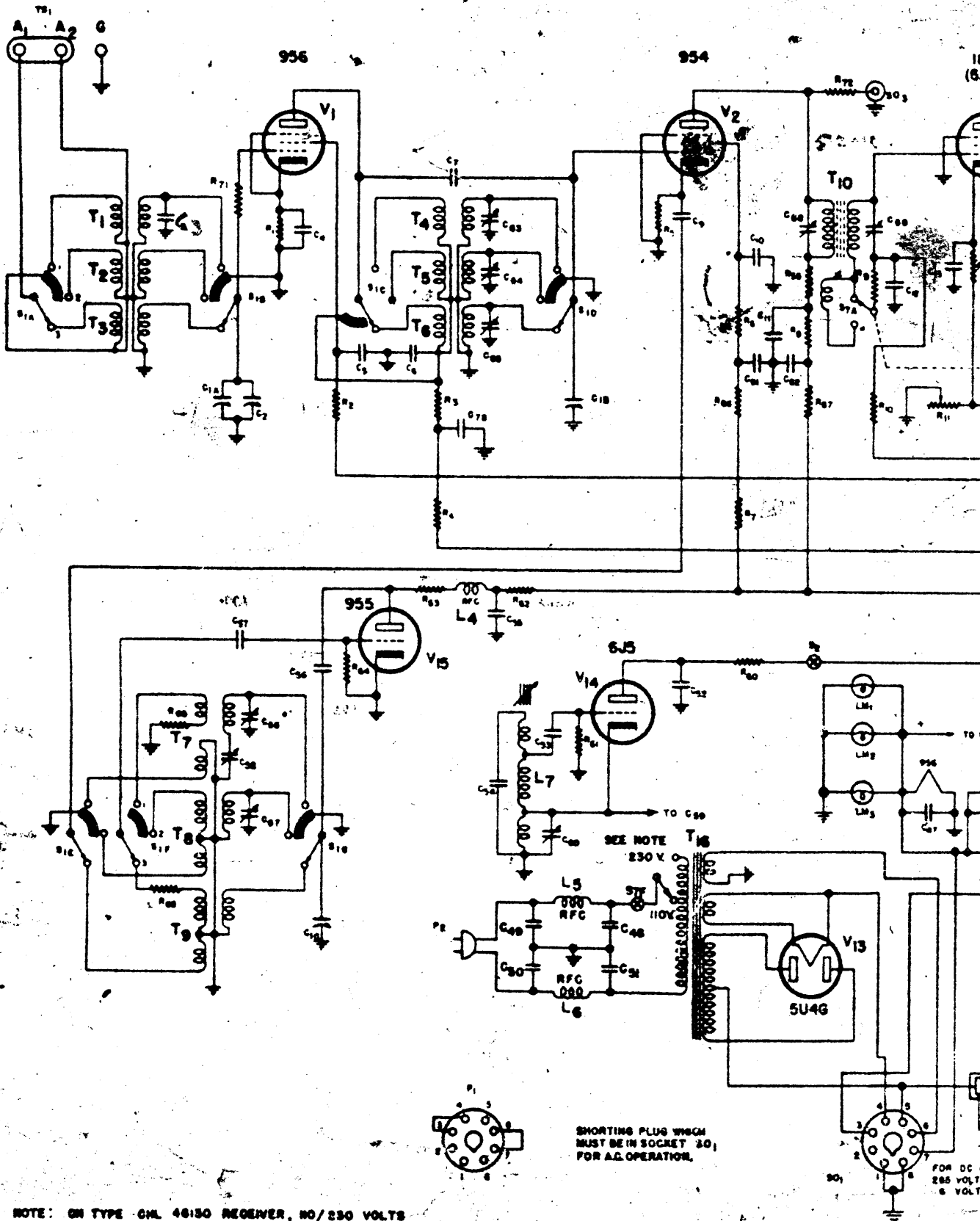
INDUSTRIAL CONDENSER CORP.

CHICAGO, U.S.A.



Fig. 8 - CHL-46130 Receiver - Rear View

Fig. 2 - CHL-46130 Receiver - Schematic



NOTE: ON TYPE CHL 46130 RECEIVER, NO/230 VOLTS SWITCH IS OMITTED AND OPERATION IS FOR 115 VOLT SUPPLY ONLY

SHORTING PLUG W5C4 MUST BE IN SOCKET 20, FOR AC OPERATION.

FOR DC 285 VOLT 6 VOLT

